



**ABACO MACHINES**

**ABACO UNIVERSAL SLAB BUGGY**

**Item # USB-6WM**

**OPERATION MANUAL**



**Abaco Machines USA Inc.**

310-532-0366

## SPARE PARTS LIST

POS	DESCRIPTION	QTY
USB-01	Washer Ø10 x Ø23 x 1.5	24
USB-02	Nut M10	12
USB-03	Bolt M10 x 80	02
USB-04	Middle Frame	01
USB-05	Cross Bar	02
USB-06	Bolt M10 x 70	04
USB-07	Ratchet Tie Down Straps	02
USB-08	Outside Frame	02
USB-09	Bolt M10 x 120	06
USB-10	Tie Down Bar	01
USB-11	Aluminum Washer Ø16	02
USB-12	Circlip Ø16	02
USB-13	Rubber Cap 40 x 40	14
USB-14	Adjustable Bar	02
USB-15	Washer Ø14	04
USB-16	Nylon Nut M14	02
USB-17	Safety Bar	02
USB-18	Bolt M14 x 70	02
USB-19	Frame Base	01
USB-20	Cast Iron Wheel	02
USB-21	Copper Washer Ø25	04
USB-22	Nut M24	02
USB-23	Bolt M10 x 20	16
USB-24	Spring Washer Ø10	16
USB-25	Washer Ø10 x Ø22 x 2.5	16
USB-26	4" Swivel Castors	04
USB-27	Rubber Strip 220mm	06
USB-28	Hand Knob M8	02
USB-29	Safety Lock	02
USB-30	Rubber Strip 1480mm	03
USB-31	Rubber Strip 665mm	04

## GENERAL

Transport slabs safely and easily

Big enough to handle large slabs but small enough to fit through standard doors

Iron core polyurethane casters enable maximum stability

The four high quality polyurethane swivel casters, including brakes, allow quick and easy maneuvering

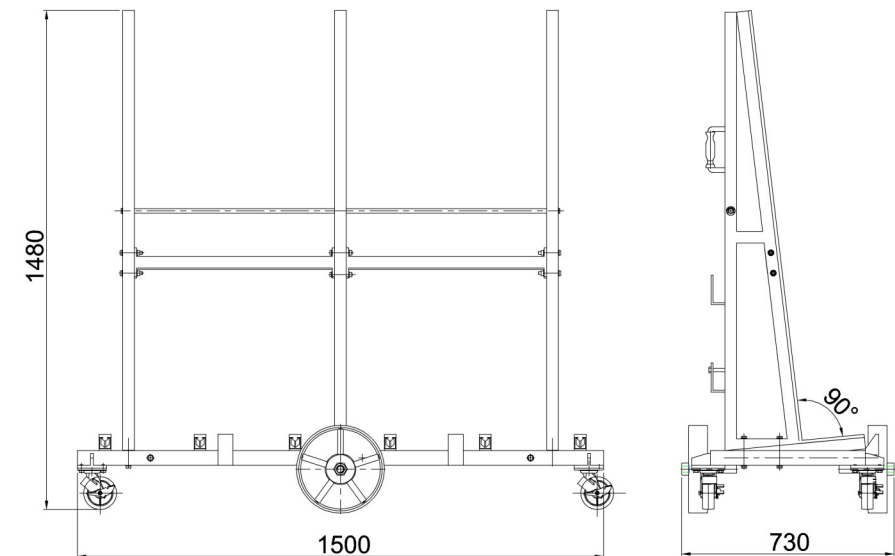
This multi-use slab buggy is designed to meet the high demand of the industry. Not only can you transport slabs with ease but it includes our one of a kind securing arms for added versatility.

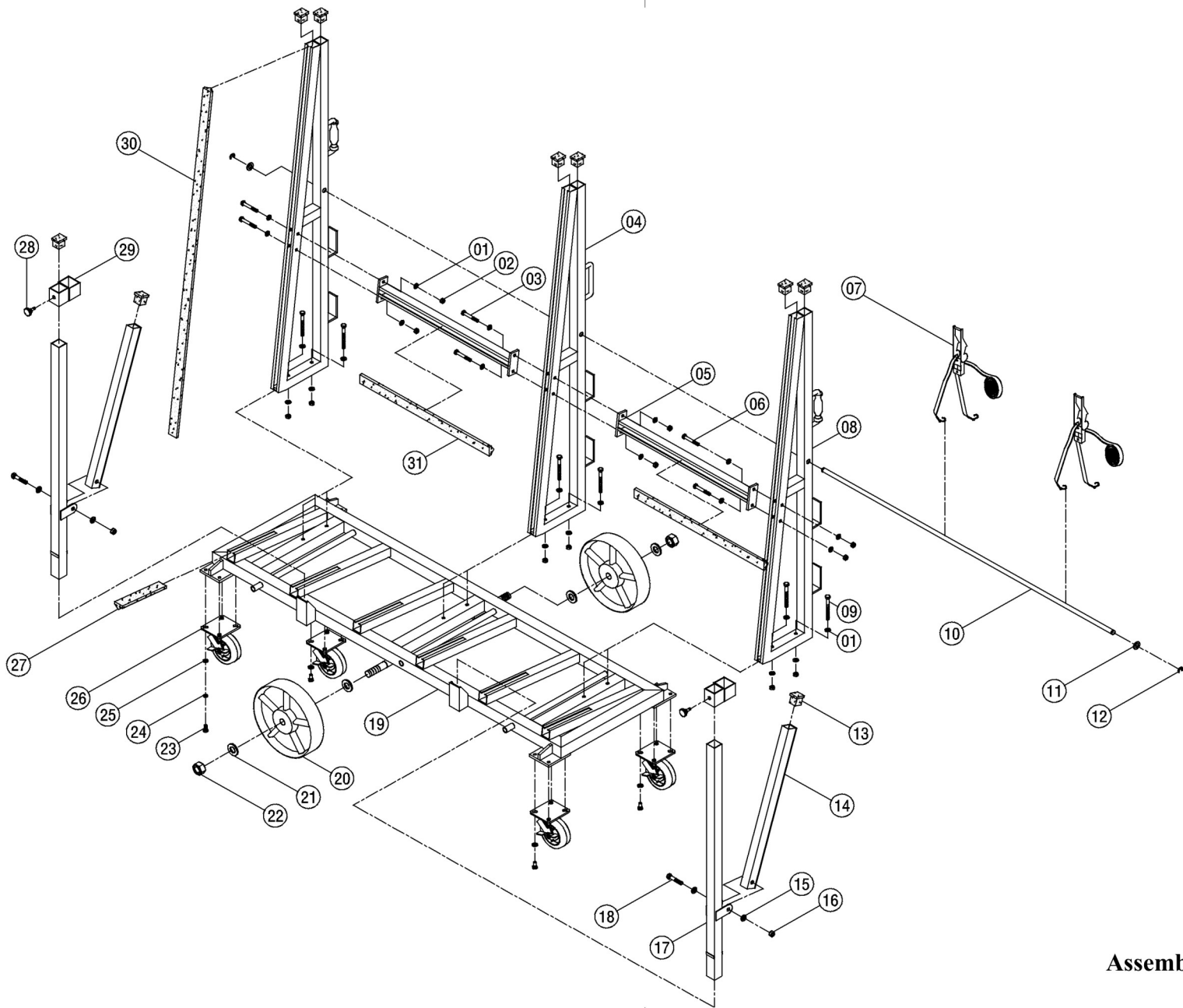
### Specifications

Dimension : 59" x 29" x 58" (1500mm x 730mm x 1480mm)

Net weight : 220lbs (100kg)

W.L.L : 2200lbs (1000kg)





**Assembly Instructions**